



Warnings and Operating Instructions

- Do not use if the ThinkLite LED tube appears damaged or broken.
- Do not use if the tombstones of the fixture being modified appears damaged or broken.
- Use and store tubes in dry places.
- If the tubes are used in wet locations, the appropriate outdoor-rated fixtures or covers are required.
- Product installation requires knowledge of fluorescent luminaires and fixtures. If not qualified, DO NOT attempt installation and contact a qualified electrician/technician.
- Before installation, electrician should confirm that the fixture being retrofitted is within the voltage range specified on the ThinkLite LED tube.
- Hands must be dry during installation.
- Do not impact the tube or components by external weight or mechanical force.
- Do not make or alter any open holes in an enclosure of wiring during installation unless specified in the instructions within this guide.
- To avoid wire damage or abrasion, do not expose wiring to edges of sheet metal or other sharp objects.
- **Remember, once installation has been completed, the modified fixture can no longer accept fluorescent lamps. To avoid injury or fixture damage, ThinkLite LED products are recommended.**

For any questions or concerns, please contact your authorized reseller or ThinkLite USA +1 (617) 500 6689 | www.ThinkLite.com



ThinkLite[®]
LED Tubes

Quick Installation Guide



- **Risk of fire or electrical shock.** Switch off power before starting installation.
- Installation **MUST** be completed by a qualified electrician/technician.
- All safety instructions must be followed to avoid a risk of injury or property damage.

Installation Instructions

1. Disconnect fixture power AT THE SOURCE. DO NOT simply switch off fixture.
2. Remove existing fluorescent tubes. Make sure to dispose of these correctly.
3. Bypass the ballast and remove the starter (if any) within the bracket by cutting the wires that connect from the power source to the existing ballast (as shown in **Figure A**). Be sure to leave enough wire to be tied off with wire nuts.
4. Cut the wires that connect from the ballast to the lamp (**Figure B**) and tie them off with wire nuts as well. The ballast can be removed completely or may remain in the fixture as compliant with UL code.
5. Connect the power source directly to the fixture (shown in **Figure C**). Make sure there are no exposed wires before closing up the fixture.
6. Install ThinkLite LED tube(s) into fixture.
7. Peel off the provided caution label (shown in **Figure D**) and apply to a visible location inside the fixture. This is an important step to ensure compliance with the UL1598c code.
8. Re-connect power supply and turn on fixture. The tubes should light.

WARNING:

It is important that the connection of the LED lamp is made from BOTH ends. One end must feed the LIVE, and the other end must feed the NEUTRAL as shown below. This design allows the LED lamp to be directly connected in both shunted and non-shunted type sockets.

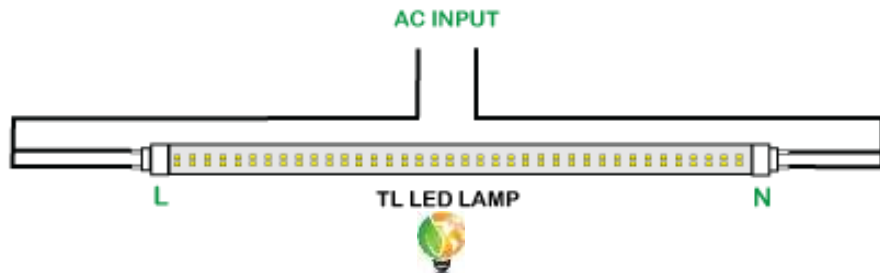


Figure: A

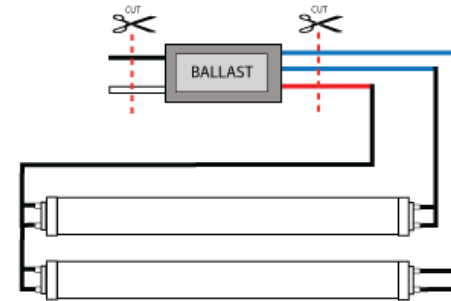


Figure: B

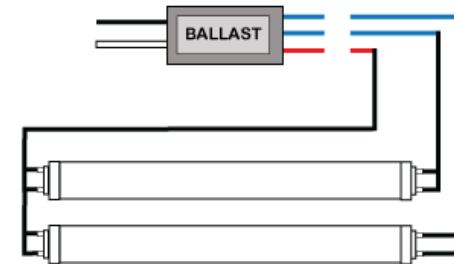


Figure: C

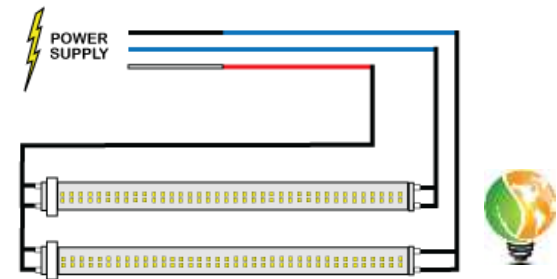


Figure: D

